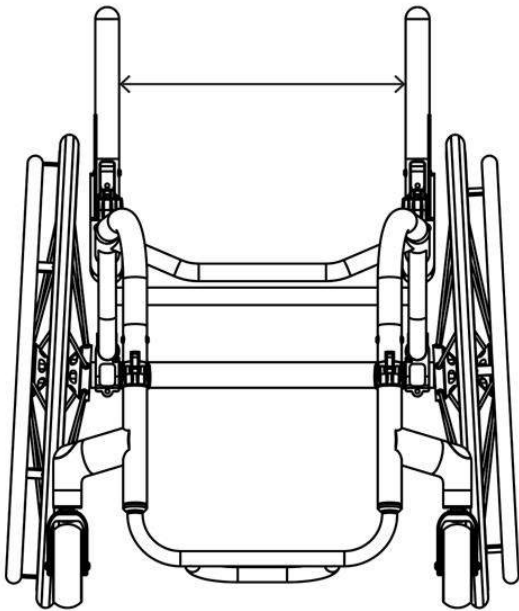




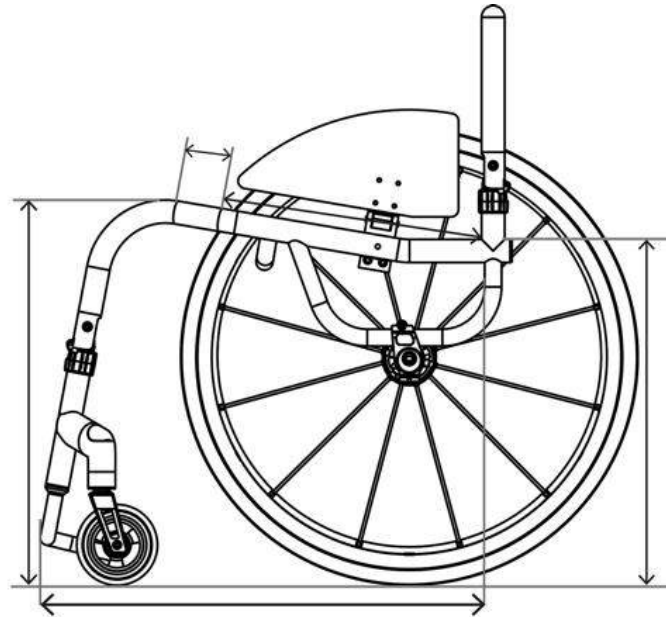
Size	Made to measure
Frame material	Aluminium
Product weight	From 8.6kg (40cmx40cm seat c/w wheels)
Frame tube size	30mm
Aesthetics	Compact, stylish, smallest folded size
Riding experience	Robust and direct ride
Camber angles	0, 1, 2, 3, 5 °



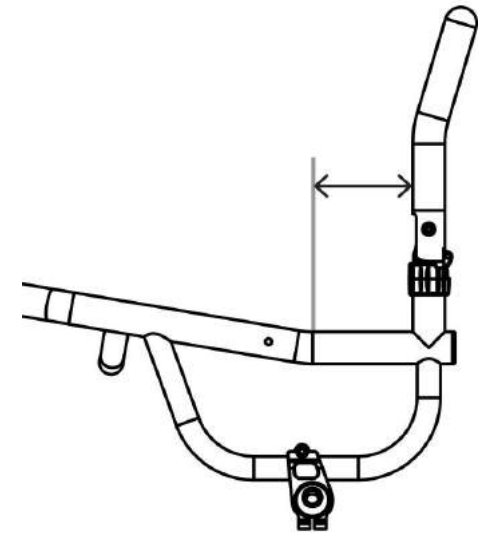
Our philosophy is to create for the individual, the outcome being superior performance and comfort.
Designed and handmade to your individual measurements to ensure a perfect fit and to suit your lifestyle.



Individual seat and taper seat widths, in mm increments, ensure excellent posture and positioning



Individual seat and frame lengths, combine with an infinite range of seat heights for optimum propulsion efficiency and stability



RGK Ergonomic Seat option to improve trunk positioning and pressure distribution

Two footrest options to choose from:



Fixed welded footrest with carbon fibre plate
Footrest height and angle are fixed at your optimal measurements. Spacer kit for fine tuning also available



Adjustable clamp-on footrest with aluminium plate
You can adjust the footrest height and angle to suit your requirements



Talk with our mobility advisors for the full range of options.
Call us: +44 (0)1543 670077

Range of castor wheel sizes to suit personal preference and to ensure optimal chair ride and performance



Sizes: 3" (75mm)



4" (100mm)



5" (125mm)



Standard castor wheel
Soft roll castor wheel, black



Black tyre, red hub



Blue tyre, silver hub

Popular castor wheel upgrade
Aluminium centre with urethane tyre and a choice of tyre and wheel hub colours.



Talk with our mobility advisors for the full range of options.
Call us: +44 (0)1543 670077



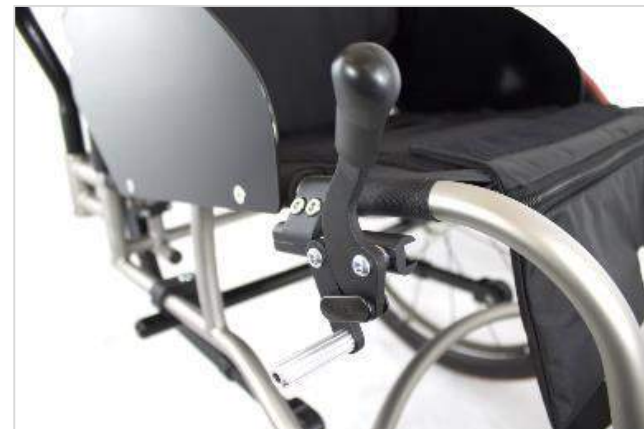
Standard scissor brakes

Under-seat scissor brakes, secure action with no transfer obstruction



Popular upgrade scissor brakes

Compact scissor brakes, with easy "one movement action" to engage and disengage



Other type of brakes

Push to lock brakes



Talk with our mobility advisors for the full range of options.
Call us: +44 (0)1543 670077

Sideguards are made to your individual measurements and come in many different styles, shapes and materials.



Flat folding sideguards

Side support and clothing protection whilst allowing access to the handrim and tyre (when in upright position)



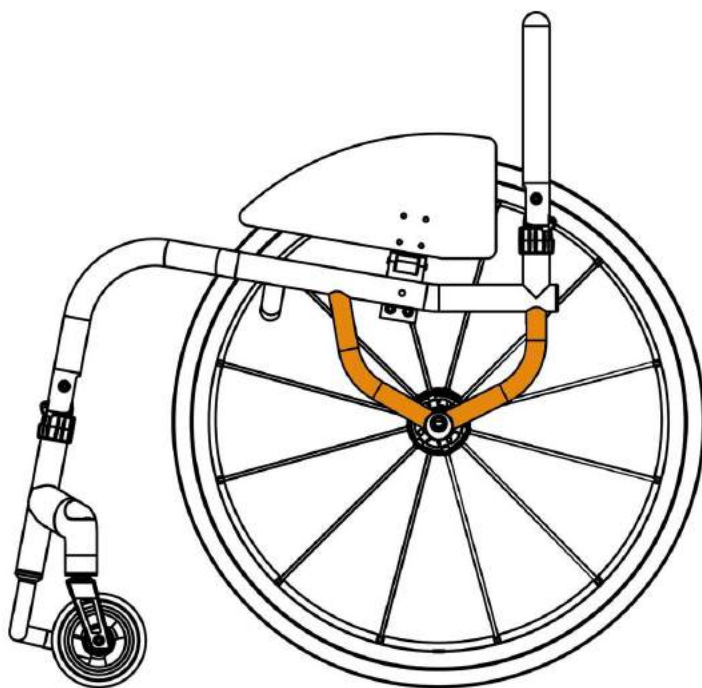
Flat folding sideguards with fender

Side support with enhanced clothing protection with the added benefit of easier transfers in and out of your chair



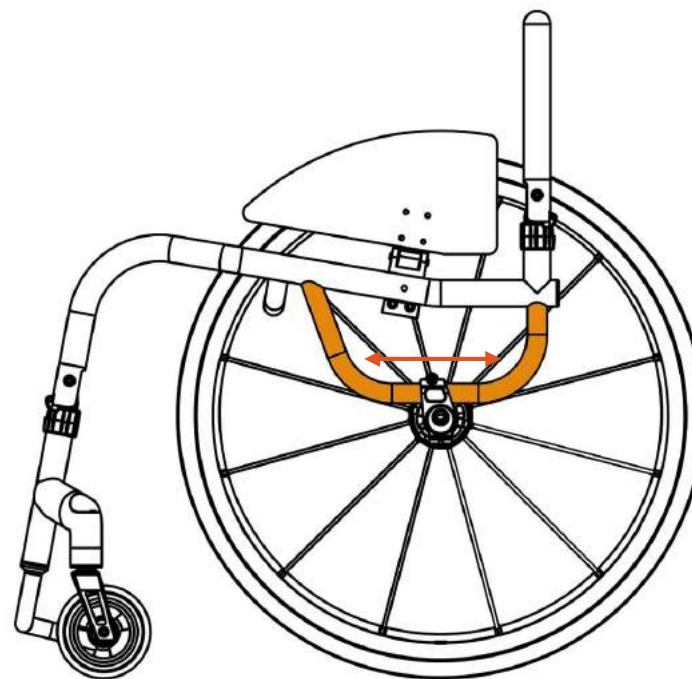
Talk with our mobility advisors for the full range of options.
Call us: +44 (0)1543 670077

Available with a fixed or adjustable centre of gravity...



Fixed centre of gravity

The most rigid option for the experienced wheelchair user



Adjustable centre of gravity

Maximum flexibility with a clean design and simple to adjust system



Optional flip down push handles



Optional screw in push handles

Available with an easy to use, swing away anti-tip option to provide support and peace of mind when needed.



Anti-tip 'in use' position



Anti-tip can be rotated 180 degrees under the seat when being transported or not in use.

Range of rear wheel sizes ensure the optimum ergonomics and propulsion efficiency can be achieved by all users, regardless of size and function



24"

540mm

Sizes: 24" (540mm)



25"

559mm

25" (559mm)



26"

590mm

26" (590mm)



Standard rear wheel

Sun Fusion 16 spoke daily use wheel – black spokes and silver hub



Spinergy LX wheel with red, blue & white spokes and silver hub. (Complete with grey Kenda tyre and anodised handrim)

Popular rear wheel upgrade

Spinergy LX 12 spoke daily wheel with a choice of spoke and hub colours.



Talk with our mobility advisors for the full range of options.
Call us: +44 (0)1543 670077

Handrims are all 6 tab “bolt to wheelrim” mounting for strength and durability. They can be ordered with wide or narrow positioning.



Standard handrim
Hard anodised aluminium
lightweight and durable



Popular handrim upgrade
Handrim tetra grip with a
durable and high friction coating
enabling improved propulsion
efficiency with minimal handgrip



Standard tyre
High pressure Kenda tyre
(choice of grey, red or blue)
Lightweight with minimal rolling
resistance



Popular tyre upgrade
Tyre Schwalbe Marathon Plus, with
level 6 Smartguard puncture
protection, no more punctures!



Talk with our mobility advisors
for the full range of options.
Call us: +44 (0)1543 670077

COLOUR OPTIONS (FRAME AND EMBROIDERY)

You can choose from a wide range of frame, frame components and embroidery colours to give your chair those final personalised touches.

Choose your frame and componentry colour



Polished frame available



Range of colour options available for accents

Red accents Silver accents Copper accents Purple accents Blue accents Black accents



Brushed frame available



Wide range of high quality, durable powder coat frame colours



Choice of embroidery colours



Personalisation

Add your personal design by having it embroidered onto your backrest upholstery for that final personal touch

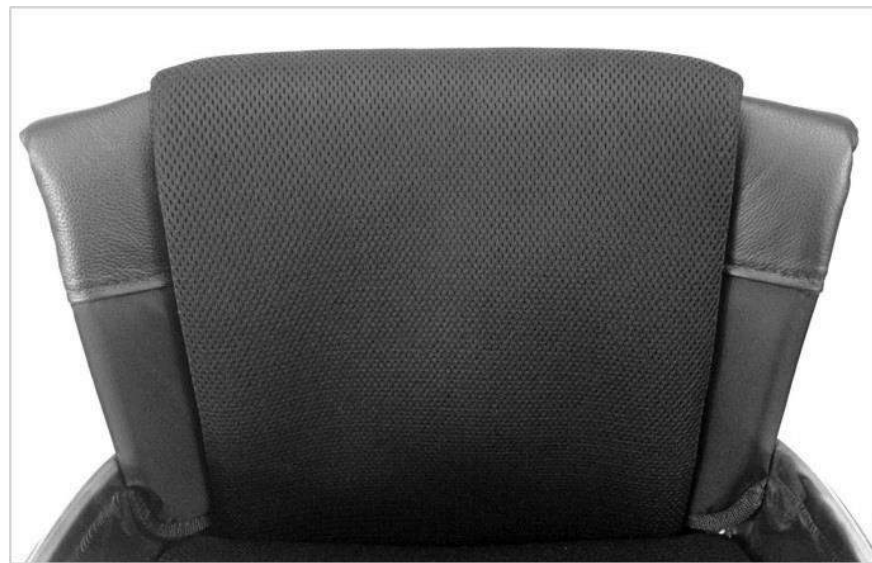


Talk with our mobility advisors for the full range of options.
Call us: +44 (0)1543 670077



Standard backrest upholstery

Airtech strap adjustable backrest for maximum adjustment flexibility.
Kevlar reinforced, with detail stitching in a choice of colours



Popular backrest upholstery upgrade

Leather top corners provide additional protection against damage and wear.
Available in black, red or grey leather



Talk with our mobility advisors
for the full range of options.
Call us: +44 (0)1543 670077



Cushion option

Foam cushion with nylon cover available in a choice of soft, medium or hard foam with either 50mm, 75mm or 100mm thickness



AirLite cushion cover upgrade

AirLite cover allows for improved air circulation and cooling



Talk with our mobility advisors
for the full range of options.
Call us: +44 (0)1543 670077



Velcro attached seat pouch

A great place to carry phone, keys and other valuables. Easy to remove.



Wheel bag option (3 wheels)

Holds 3 wheels and other spares with ease, great for travel and protection



TIGA fx portable carry bag (for chair frame)

Protects frame, ideal for storage, and makes for easy transportation



Talk with our mobility advisors for the full range of options.
Call us: +44 (0)1543 670077



Compatible with the FrontWheel

The unique RGK FrontWheel with its quick release and robust construction provides the perfect solution for travel over varied terrains including grass, mud, cobbles and more!



Compatible with all Jay cushions and backrest range
To provide enhanced support and posture with pressure care needs



Talk with our mobility advisors for the full range of options.
Call us: +44 (0)1543 670077

NEXT STEPS?

This document is only intended to give an overview of options and configurations available.
RGK build individual, unique solutions for individual lifestyles

If you would like to:

- **Know more about the product specifications, options and prices**
 - **Understand more about our made to measure process**
 - **Arrange a home visit/assessment**
 - **Arrange to visit our showroom**
 - **Arrange a telephone consultation**
 - **Understand more about finance options**
 - **Or any other questions..**

Please get in touch with us

Tel: +44 (0) 1543 670077

Email: info@rgklife.com

www.rgklife.com